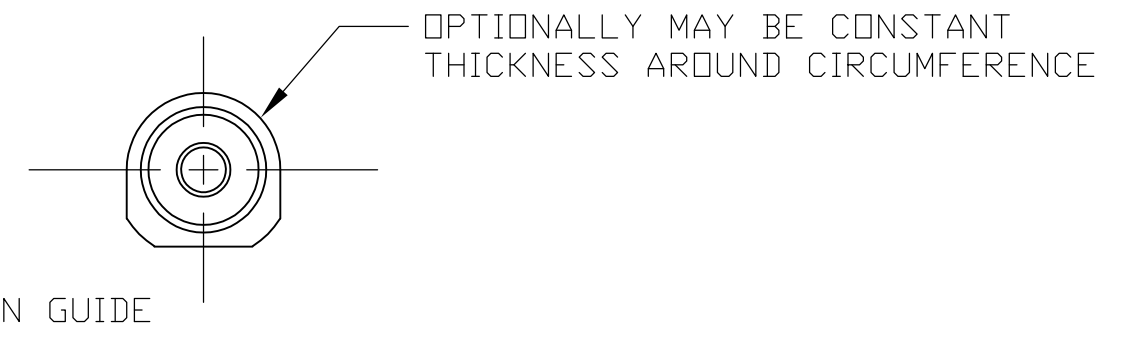
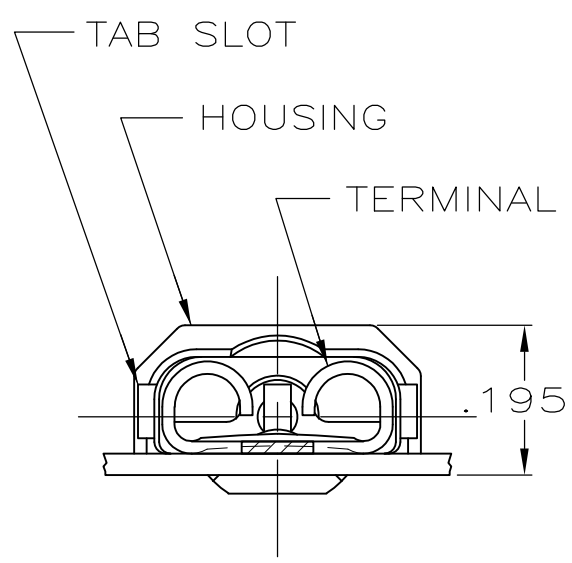
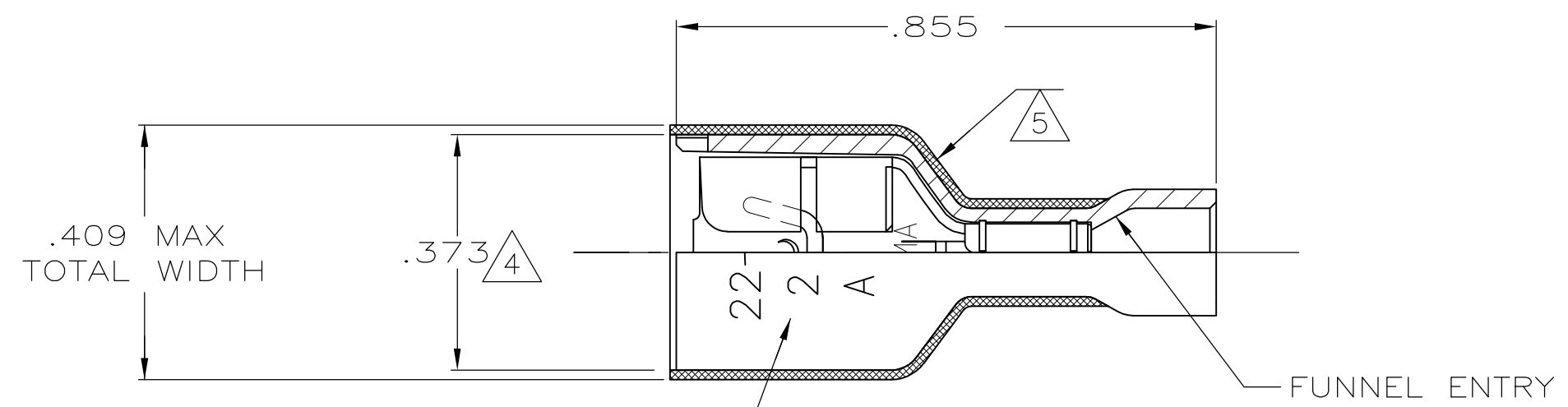


THIS DRAWING IS UNPUBLISHED. RELEASED FOR PUBLICATION
 © COPYRIGHT - By - ALL RIGHTS RESERVED.

LOC	DIST	REVISIONS			
P	LTR	DESCRIPTION	DATE	DWN	APVD
AF	50	L1	REVISED PER ECO-15-008427	08JUN15	JR DH

- 1 MATES WITH .032±.001x.250 TAB
- 2 WIRE STRIP LENGTH .281
- 3 INSULATION SIZE .135 MAX DIA
- △4 DIMENSION DOES NOT INCLUDE TRIM BURR
- △5 .015 MAX CARRIER TRIM BURR PER SIDE IS ALLOWABLE IN THE SHADED AREA



HOUSING: NYLON, COLOR-RED TRANSLUCENT RECEPTACLE: #3 HARD PH BRONZE, TIN	2-520184-4
HOUSING: NYLON, COLOR-RED TRANSLUCENT RECEPTACLE: BRASS, TIN	2-520184-2
MATERIAL & FINISH	
PART NO	

THIS DRAWING IS A CONTROLLED DOCUMENT.		DWN	P FORTNEY	10/18/88	STE TE Connectivity
DIMENSIONS: INCHES		CHK	JR RUTH	10/18/88	
TOLERANCES UNLESS OTHERWISE SPECIFIED:		APVD	K RANDOLPH	10/21/88	
0 PLC ± - 1 PLC ± - 2 PLC ± - 3 PLC ± .015 4 PLC ± - ANGLES ± -		NAME		RECEPTACLE ASSY, ULTRA-FAST, LOOSE PIECE, .250 SERIES, 22-18 AWG	
MATERIAL SEE TABLE		FINISH SEE TABLE		PRODUCT SPEC	108-2043
				APPLICATION SPEC	114-2123
				WEIGHT	-
				SIZE	A3
				CAGE CODE	00779
				DRAWING NO	C-520184
				RESTRICTED TO	-
				CUSTOMER DRAWING	SCALE 4:1
				SHEET	1 OF 1
				REV	L1